



# Euro Series Hot Food Merchandisers

Euro Series Hot Food Merchandisers

### Models:

ES-1-1P

ES-2-2P

ES-3-3P



### Standard Features:

- Dramatic curved front glass
- Cantilevered two-level design
- Infinitely adjustable controls for each level
- Bright incandescent lighting
- Removable sliding glass doors
- Patented EZ-Insert™ heat tubes in top and middle shelf
- Insulated heat cable base

### Options & Accessories:

- Units available in Elite Series Colors
- Front flip-up doors for bottom and top shelf
- Mirror-back sliding glass doors on cook-side
- Full and half size stainless steel pans
- Full and half size wire trivets

### Description:

**Description:** Merco's Euro Series Hot Food Merchandisers feature stylish good looks with high quality construction and efficiency for the ultimate in counter top merchandising. Featuring dramatic curved front glass and bright incandescent lighting to showcase your product. Units are available in Elite Series colors and with flip-up front doors on both tiers for self-service applications. Infinitely controlled top and bottom heating extends holding times, keeping product fresher longer.

**Merco® Guarantee:** Merco® equipment is guaranteed to be free from quality problems in material and workmanship for a period of one (1) year parts and labor from date of purchase, or eighteen (18) months from date of shipment from factory, whichever comes first.

Heating elements carry a two (2) year

warranty against burnout (not breakage) from date of purchase of equipment.

**Electrical Requirements:** All models are available in 120, 120/208, or 120/240 volt, single phase AC only. Model ES1-1P available in 120 volt only.

**Bid Specifications for Euro Series Hot Food Merchandisers:** The Euro Series Hot Food Merchandiser shall be Merco® Model number \_\_\_\_\_, rated at \_\_\_\_\_ watts, \_\_\_\_\_ volts, single phase AC.

Standard equipment shall include heat cable base, infinitely adjustable heat controls for all levels, pilot lights, bright incandescent illumination with on/off switch, removable sliding glass doors, adjustable 4" NSF legs, pan racks, 6-foot cord set. Optional accessories shall include mirror-back doors, full and half size stainless steel pans and wire trivets.



### Elite Series Colors



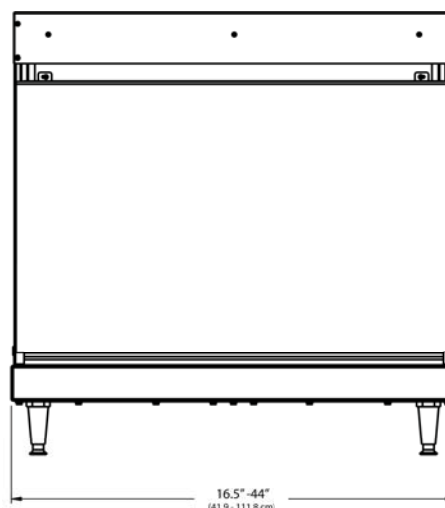
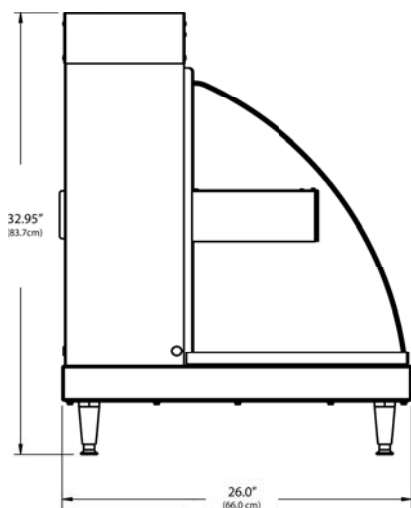
Printed colors are a representation and may not exactly match our Elite Series colors.

ES-1-1P  ES-2-2P  ES-3-3P

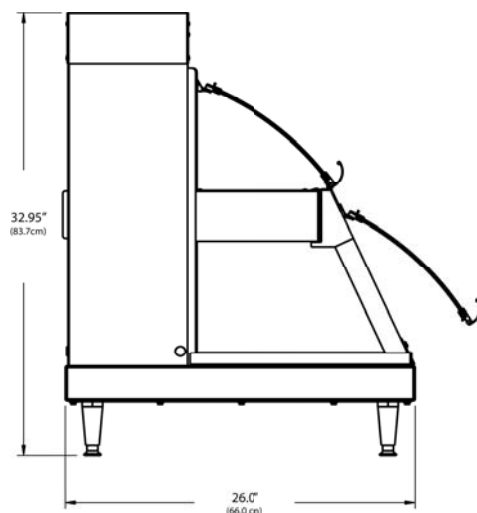
## Dimensions

(inches/cm)

Standard Models



Models With Optional Doors



### Euro Series Hot Food Merchandisers

Model #	Volts/Amps			Watts	Phase	Width	Depth	Height
	120	120/208	120/240					
ES-1-1P	12.2	N/A	N/A	1460	1	16.5" (41.9 cm)	26" (66.1 cm)	32.95" (83.7 cm)
ES-2-2P	15.1	8.7	7.5	1810	1	33" (83.8 cm)	26" (66.1 cm)	32.95" (83.7 cm)
ES-3-3P	19.1	11.0	9.5	2290	1	44" (111.8 cm)	26" (66.1 cm)	32.95" (83.7 cm)

ES-1-1P  ES-2-2P  ES-3-3P